



INSTALLATION INSTRUCTIONS FOR PART 99-7864

APPLICATIONS

Honda Accord 2003-2007

(Equipped with Single Zone Climate Controls)

99-7864

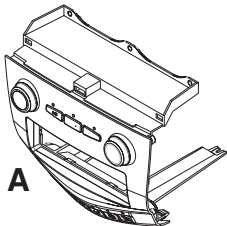
KIT FEATURES

- DIN Radio Provision
- ISO Radio Provision

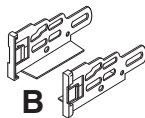


KIT COMPONENTS

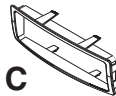
A) Radio/Climate Control Housing B) ISO Brackets C) ISO Trim Plate D) PPH-1034 Screws



A



B



C



D

WIRING AND ANTENNA CONNECTIONS (Sold Separately)

WIRING HARNESS:

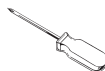
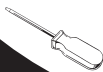
- 70-1721 - Honda/Acura Harness 1998-up
- 70-78640Z - Accord Dual Zone Eliminator Harness 2003-07

ANTENNA ADAPTER:

Not Required

TOOLS REQUIRED:

- Small Flat Blade Screwdriver/ • Panel Removal Tool
- Phillips Screwdriver



1-800-221-0932



www.metraonline.com

© COPYRIGHT 2004-2009

METRA ELECTRONICS CORPORATION



TABLE OF CONTENTS

Dash Disassembly

- *Honda Accord 2003-2007* 1, 2

Kit Assembly

- *DIN Radio Provision* 3
- *ISO Radio Provision* 4

Final Assembly 5

***Note:**

Refer also to the instructions included with the aftermarket radio.

NOTE:

To adapt dual zone climate controls to a single zone system to work with this kit you will need Metra harness #70-7864DZ (sold separately).



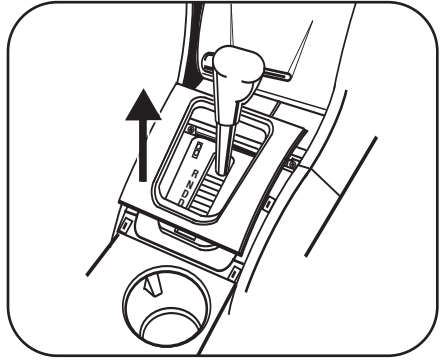
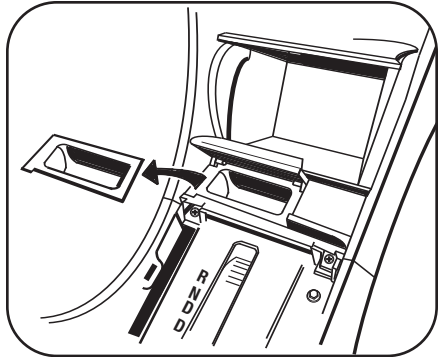
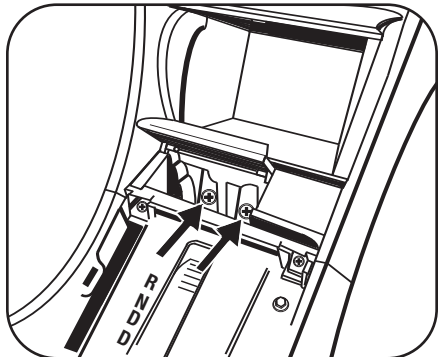
KNOWLEDGE IS POWER

Enhance your installation and fabrication skills by enrolling in the most recognized and respected mobile electronics school in our industry. Log onto www.installerinstitute.com or call 800-354-6782 for more information and take steps toward a better tomorrow.

HONDA ACCORD 2003-2007

- 1** Disconnect the negative battery-terminal to prevent an accidental short circuit.
- 2** Unsnap and remove shift lever trim ring. (Figure A)
- 3** Unsnap coin tray/ashtray from assembly and remove. Rubber cover may come out first but entire assembly must be removed to access screws below. (Figure B)
- 4** Remove (2) Phillips screws from under coin tray/ashtray and remove entire assembly. (Figure C)

Continue to kit assembly.

A

B

C


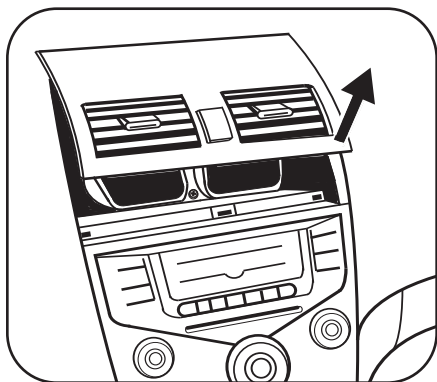
HONDA ACCORD 2003-2007

**Note: Refer also to the instructions included with the aftermarket radio.*

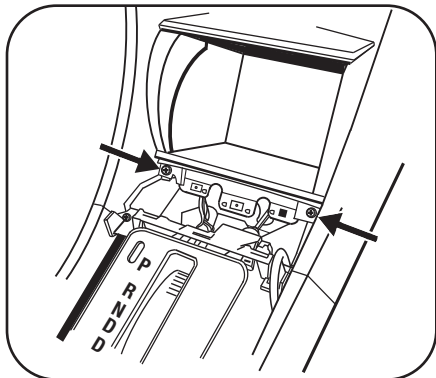
- 5 Remove (2) Phillips screws from bottom of pocket assembly and unsnap and remove. (Figure D)
 - 6 Remove (2) Phillips screws facing up under radio/climate control assembly.) (Figure E)
 - 7 Push and hold the hazard button down. Carefully insert a flat blade screwdriver into the slot below the button and push down to release the center clip. (Figure F)
 - 8 Unsnap and remove upper panel (including a/c vents) and remove (3) Phillips screws behind the panel. (Figure G)
- Tip:** You can use a hook tool to grasp the panel inside of the vent and pull toward the rear of the vehicle. Be careful not to scratch the panel.
- 9 Unclip and remove radio/climate control assembly.

Continue to kit assembly.

G



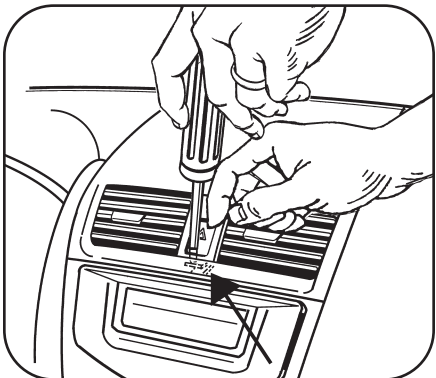
D



E



F



DIN RADIO PROVISION

**Note: Refer also to the instructions included with the aftermarket radio.*

- 1 Snap the DIN cage into the Radio Housing and secure by bending the metal locking tabs down. (Figure A)
- 2 Slide the aftermarket radio into the cage and secure. (Figure B)

Continue to final assembly.

Programming:

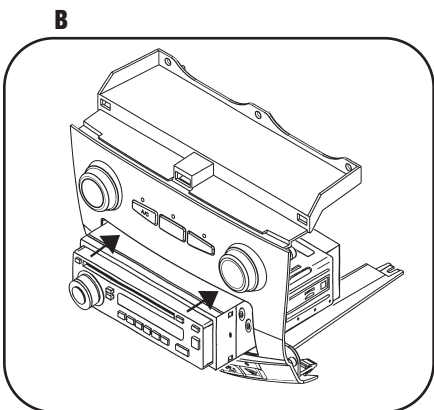
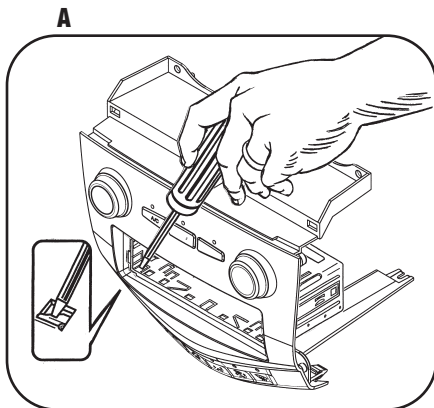
In order to adjust the 99-7864 to the different types of radios available in the Honda Accord, the 99-7864 has a program feature.

4 DOOR SEDAN ONLY:

To program the kit you will need to start your vehicle then hold the A/C button for approximately 5 seconds or until the light starts to blink. The climate controls will be programmed when the light stops blinking.

2 DOOR COUPE ONLY:

To program the kit you will need to start your vehicle then hold the Rear Defrost button for approximately 5 seconds or until the light starts to blink. The climate controls will be programmed when the light stops blinking.



Note:

The orange wire coming out of the back of the 99-7864 needs to be connected to the orange illumination wire coming from the Metra 70-1721 wire harness (sold separately).

ISO RADIO PROVISION

**Note: Refer also to the instructions included with the aftermarket radio.*

- 1 Mount the ISO Brackets to the head unit with the screws supplied with the unit. (Figure A)
- 2 Slide the head unit into the radio opening until the side clips engage. Snap the Trim plate into the Radio Housing. (Figure B)

NOTE:

When reinstalling the screws into the bottom of the 99-7864 use the (2) supplied Phillips screws instead of the factory screws removed in step 5 in Dash Disassembly.

Continue to final assembly.

Programming:

In order to adjust the 99-7864 to the different types of radios available in the Honda Accord, the 99-7864 has a program feature.

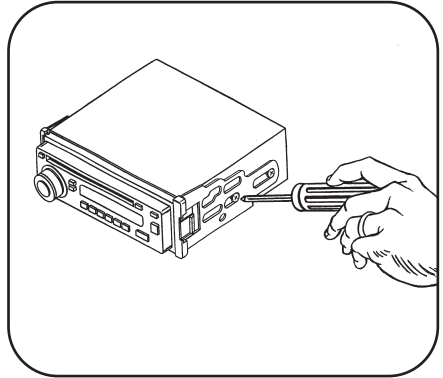
4 DOOR SEDAN ONLY:

To program the kit you will need to start your vehicle then hold the A/C button for approximately 5 seconds or until the light starts to blink. The climate controls will be programmed when the light stops blinking.

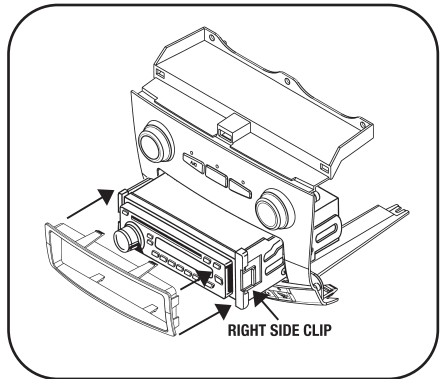
2 DOOR COUPE ONLY:

To program the kit you will need to start your vehicle then hold the Rear Defrost button for approximately 5 seconds or until the light starts to blink. The climate controls will be programmed when the light stops blinking.

A



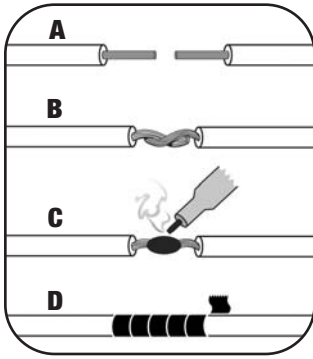
B



Note:

The orange wire coming out of the back of the 99-7864 needs to be connected to the orange illumination wire coming from the Metra 70-1721 wire harness (sold separately).

FINAL ASSEMBLY



- (A) Strip wire ends back 1/2"**
- B) Twist ends together**
- C) Solder**
- D) Tape**

- 1** Locate the factory wiring harness in the dash. Metra recommends using the proper mating adapter and making connections as shown. (Isolate and individually tape off the ends of any unused wires to prevent electrical short circuit.)
- 2** Re-connect the negative battery terminal and test the unit for proper operation.
- 3** Reassemble radio and dash assemblies in reverse order of disassembly.

NOTE: Use the screws supplied with this kit for the lower mounting screws instead of the factory hardware.

FINAL WIRING CONNECTIONS

Make wiring connections using the EIA color code chart shown below and the instructions included with the head unit. Metra recommends making connections as shown below; Strip, Splice, Solder, Tape. Isolate and individually tape off ends of any unused wires to prevent electrical short circuit.

METRA / EIA WIRING CODE

12V Ignition / Acc. Red	Right Front (+) Gray
12V Batt / Memory. Yellow	Right Front (-). Gray/ Black
Ground. Black*	Left Front (+) White
Power Antenna. Blue	Left Front (-). White / Black
Amp Turn-On Blue / White	Right Rear (+) Violet
Amp Ground. Black / White	Right Rear (-). Violet / Black
Illumination Orange	Left Rear (+) Green
Dimmer Orange / White	Left Rear (-). Green / Black

***NOTE:** When a Black wire is not present, ground radio to vehicle chassis.
All colors may not be present on all leads due to manufacturer's specifications.

99-7864 INSTRUCTIONS



1-800-221-0932



www.metraonline.com

REV. 05/04/09 © COPYRIGHT 2004-2009 METRA ELECTRONICS CORPORATION INST99-7864